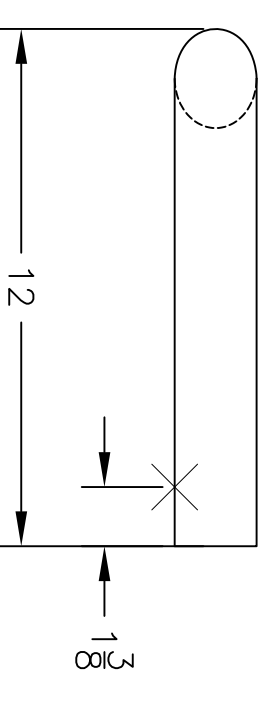
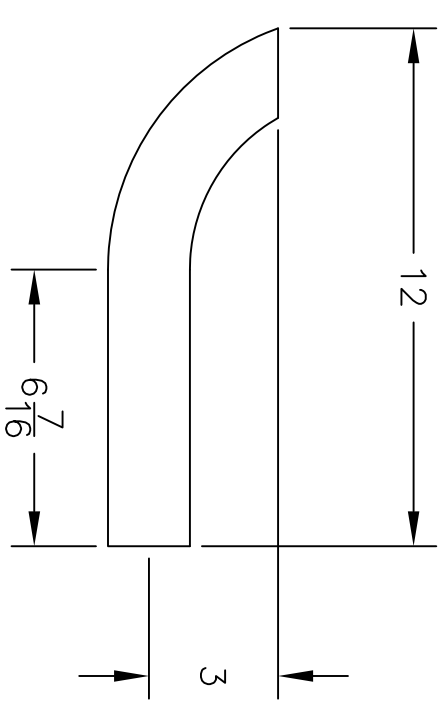


RIGHT HAND  
WALL RETURN  
( ) REQUIRED



LEFT HAND  
WALL RETURN  
( ) REQUIRED

This drawing and all the information thereon is the property of the Hollaender Mfg. Co., is confidential and must not be made public, nor copied, nor used to the disadvantage of said Hollaender Mfg. Co. and is subject to return on demand. COPYRIGHT 1999, HOLLAEENDER MANUFACTURING CO.		NO. 0 REASONS CERTIFIED FOR CONSTRUCTION DATE 12-15-11 APP'D BW	STRUCTURE 1 SHEET # of STRUCTURE 2 SHEET # of	 <b>Hollaender</b> STRUCTURAL ENGINEERING GROUP 10285 Wayne Avenue, Cincinnati, OH 45215-6399 [800] 772-8800 FAX [900] 772-8806	PROJECT STANDARD DETAIL BEND TEMPLATE STRAIGHT WALL RETURNS #82A BRACKET	CUSTOMER STANDARD DETAIL BEND TEMPLATE STRAIGHT WALL RETURNS #82A BRACKET	DRAWN BY GG FINISH ANODIZED SIZE/WEIGHT 1-1/2" SCH 40 MATERIAL 6063T6	CHECKED BY SCALE 1"=4"	APPROVED BY BW DATE 12-15-11	PROJECT NUMBER 6332-S SHEET 1 of 1
---	--	--	--	---	--	---	--	---------------------------	---------------------------------	---------------------------------------