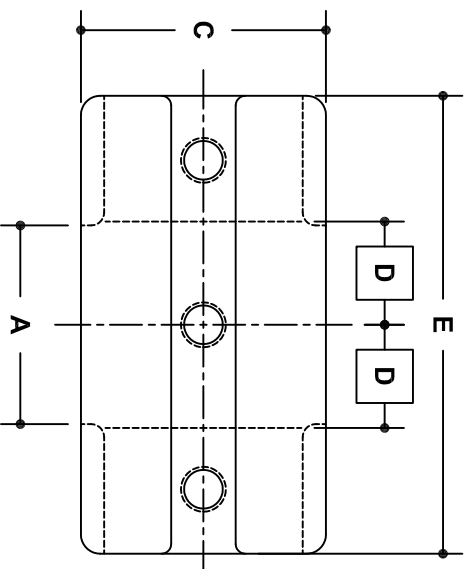
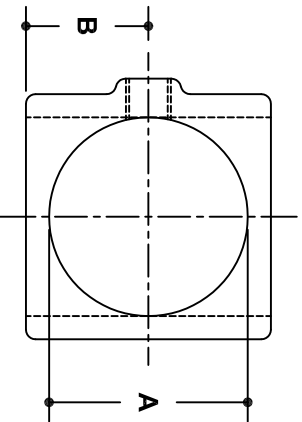


NOTE: DIMENSIONS LOCATED IN BOXES ARE COMMON
 SETBACK DIMENSIONS FOR EACH FITTING



#7E Cross-E

SCALE: HALF

| ENGLISH UNITS (Inches) | | | | | | | |
|------------------------|------|------|------|------|------|---|---|
| PIPE SIZE | A | B | C | D | E | F | G |
| 1 1/2" | 1.93 | 1.16 | 2.31 | 1.00 | 4.44 | | |
| 1 1/4" | 1.68 | 1.03 | 2.06 | 0.88 | 4.00 | | |
| 1" | 1.33 | 0.88 | 1.75 | 0.73 | 3.50 | | |
| 3/4" | 1.07 | 0.72 | 1.44 | 0.58 | 3.00 | | |

| METRIC UNITS (mm) | | | | | | | |
|-------------------|----|----|----|----|-----|---|---|
| PIPE SIZE | A | B | C | D | E | F | G |
| 1 1/2" | 49 | 29 | 59 | 25 | 113 | | |
| 1 1/4" | 43 | 26 | 52 | 22 | 102 | | |
| 1" | 34 | 22 | 44 | 19 | 89 | | |
| 3/4" | 27 | 18 | 37 | 15 | 76 | | |