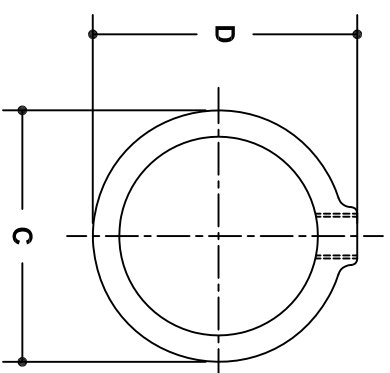
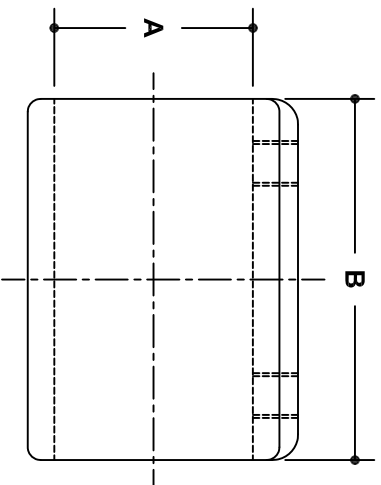


NOTE: DIMENSIONS LOCATED IN BOXES ARE COMMON
 SETBACK DIMENSIONS FOR EACH FITTING



#70 External Coupling

SCALE: HALF

| ENGLISH UNITS (Inches) | | | | | | | |
|------------------------|------|------|------|------|---|---|---|
| PIPE SIZE | A | B | C | D | E | F | G |
| 2" | 2.40 | 4.06 | 2.97 | 3.16 | | | |
| 1½" | 1.93 | 3.50 | 2.44 | 2.56 | | | |
| 1¼" | 1.38 | 3.50 | 2.31 | 2.44 | | | |
| 1" | 1.33 | 3.50 | 1.78 | 1.94 | | | |
| ¾" | 1.07 | 2.50 | 1.41 | 1.55 | | | |

| METRIC UNITS (mm) | | | | | | | |
|-------------------|----|-----|----|----|---|---|---|
| PIPE SIZE | A | B | C | D | E | F | G |
| 2" | 61 | 103 | 75 | 80 | | | |
| 1½" | 49 | 89 | 62 | 65 | | | |
| 1¼" | 43 | 89 | 59 | 62 | | | |
| 1" | 34 | 89 | 45 | 49 | | | |
| ¾" | 27 | 64 | 36 | 39 | | | |