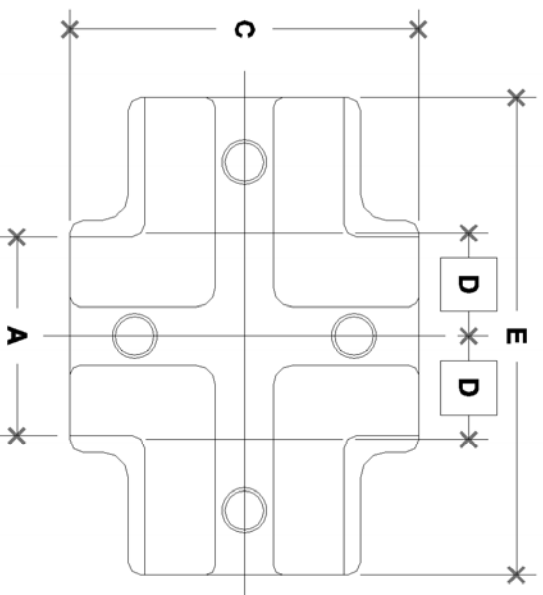
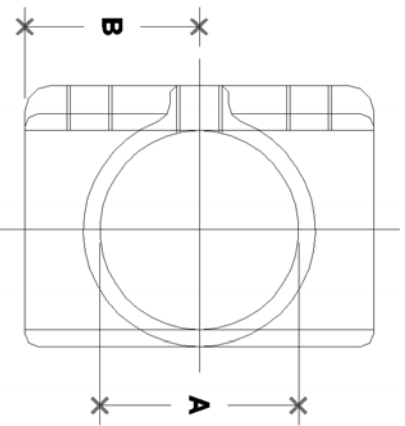


NOTE: DIMENSIONS LOCATED IN BOXES ARE COMMON
SETBACK DIMENSIONS FOR EACH FITTING



#7 Cross

SCALE: HALF

ENGLISH UNITS (Inches)							
PIPE SIZE	A	B	C	D	E	F	G
2"	2.40	1.94	3.88	1.25	6.00		
1½"	1.93	1.69	3.38	1.00	4.63		
1¼"	1.68	1.38	2.75	0.88	4.00		
1"	1.34	1.78	2.38	0.72	3.56		
¾"	1.07	1.50	2.00	0.60	3.00		

METRIC UNITS (mm)							
PIPE SIZE	A	B	C	D	E	F	G
2"	61	49	99	32	152		
1½"	49	43	86	25	118		
1¼"	43	35	70	22	102		
1"	34	45	60	18	91		
¾"	27	38	51	15	76		