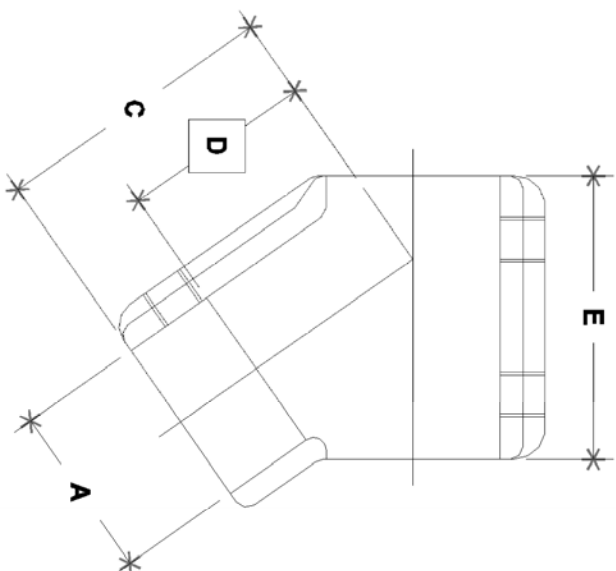
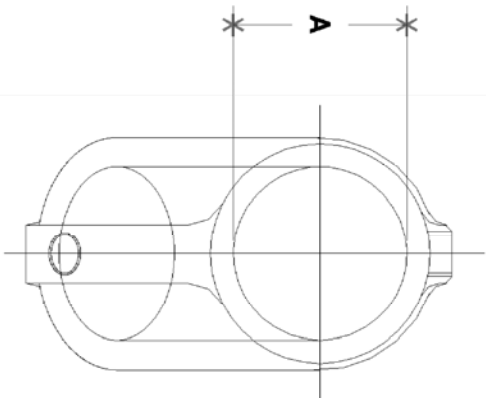


NOTE: DIMENSIONS LOCATED IN BOXES ARE COMMON
SETBACK DIMENSIONS FOR EACH FITTING



#5AT Angle Tee (55°)

SCALE: HALF

ENGLISH UNITS (Inches)							
PIPE SIZE	A	B	C	D	E	F	G
1 1/4"	1.68		2.75	1.85	2.75		
1"	1.34		1.25	2.44	2.38		
3/4"	1.07		1.00	2.00	2.00		

METRIC UNITS (mm)							
PIPE SIZE	A	B	C	D	E	F	G
1 1/4"	43		70	47	70		
1"	34		32	62	60		
3/4"	27		25	51	51		