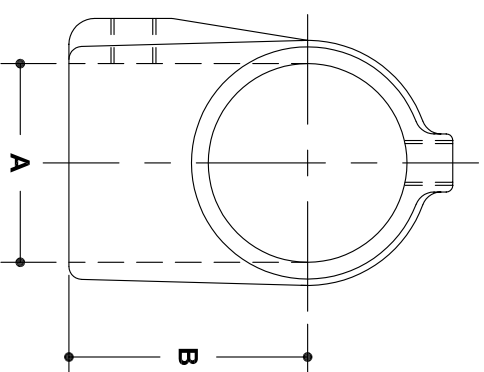
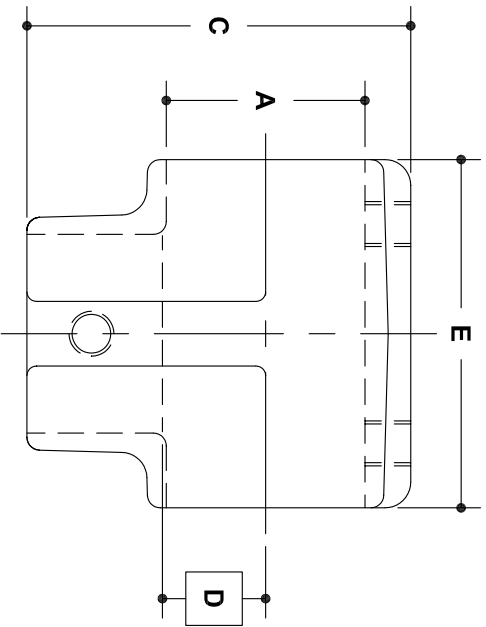


NOTE: DIMENSIONS LOCATED IN BOXES ARE COMMON
 SETBACK DIMENSIONS FOR EACH FITTING



#5 Tee

SCALE: HALF

ENGLISH UNITS (Inches)

PIPE SIZE	A	B	C	D	E	F	G
2"	2.40	3.00	4.64	1.25	3.88		
1½"	1.93	2.31	3.72	1.00	3.38		
1¼"	1.68	2.00	3.22	0.88	2.75		
1"	1.34	1.78	2.83	0.72	2.38		
¾"	1.07	1.50	2.34	0.60	2.00		

METRIC UNITS (mm)

PIPE SIZE	A	B	C	D	E	F	G
2"	61	76	118	32	99		
1½"	49	59	94	25	86		
1¼"	43	51	82	22	70		
1"	34	45	72	18	60		
¾"	27	38	59	15	51		