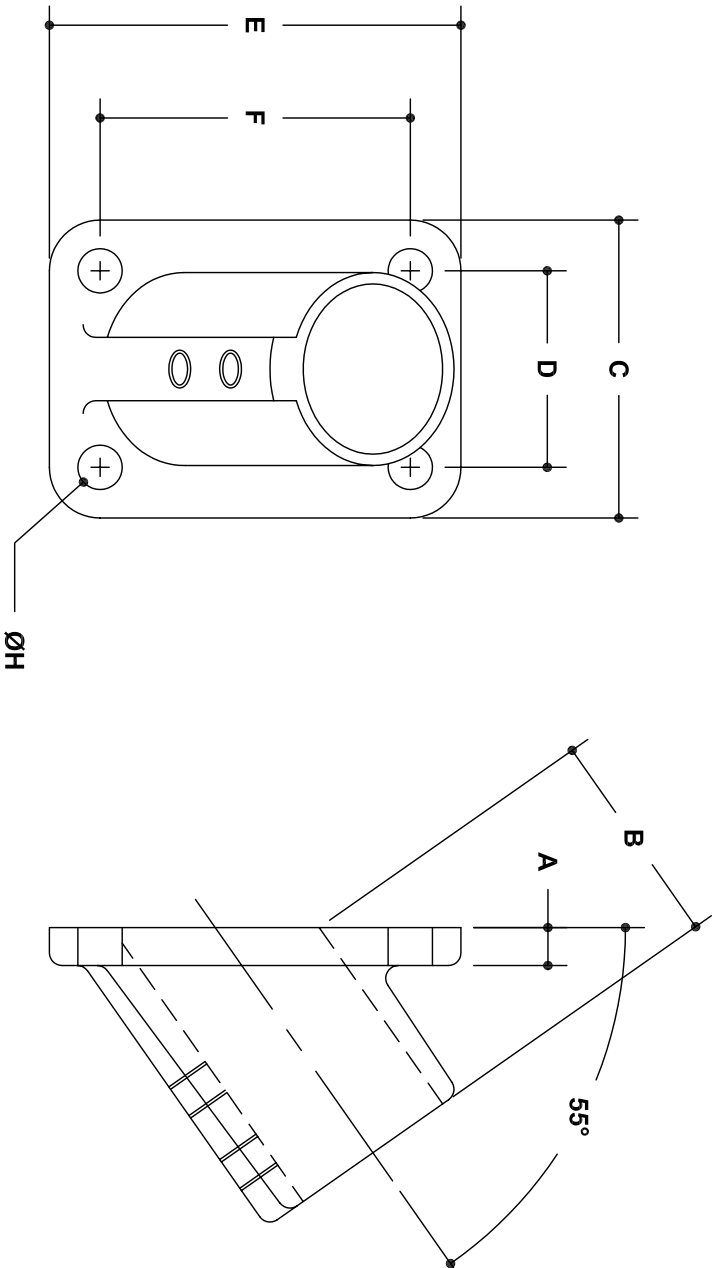


NOTE: DIMENSIONS LOCATED IN BOXES ARE COMMON
SETBACK DIMENSIONS FOR EACH FITTING



#47AF Angle Base Flange (55°)

SCALE: HALF

ENGLISH UNITS (Inches)							
PIPE SIZE	A	B	C	D	E	F	H
1 1/4"	0.31	2.13	2.94	2.13	4.06	3.25	0.31
1"	0.25	1.81	2.38	1.63	3.50	2.75	0.31
3/4"	0.25	1.50	1.88	1.19	3.50	2.81	0.31

METRIC UNITS (mm)							
PIPE SIZE	A	B	C	D	E	F	H
1 1/4"	8	54	75	54	103	83	8
1"	6	46	60	41	89	70	8
3/4"	6	38	48	30	89	71	8