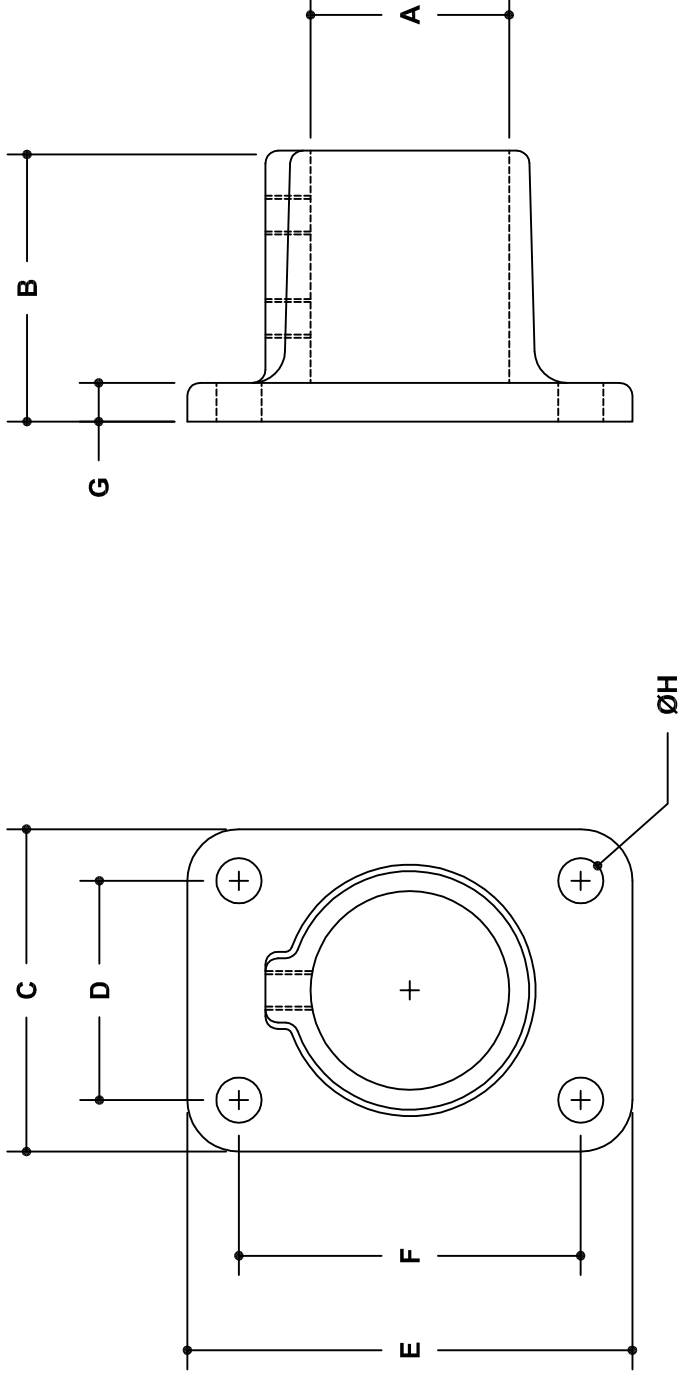


NOTE: DIMENSIONS LOCATED IN BOXES ARE COMMON
SETBACK DIMENSIONS FOR EACH FITTING



#47 Rectangular Base Flange

SCALE: HALF

PIPE SIZE	ENGLISH UNITS (Inches)									
	A	B	C	D	E	F	G	H	J	
2"	2.40	2.88	3.75	2.63	5.00	3.75	0.38	0.44		
1½"	1.93	2.53	3.13	2.13	4.31	3.25	0.38	0.44		
1¼"	1.68	2.13	2.94	1.88	4.06	3.00	0.31	0.44		
1"	1.34	1.81	2.38	1.44	3.50	2.63	0.28	0.31		
¾"	1.07	1.75	1.88	2onCL	3.50	2.63	0.25	0.31		

PIPE SIZE	METRIC UNITS (mm)									
	A	B	C	D	E	F	G	H	J	
2"	61	45	95	67	127	95	10	12		
1½"	49	46	80	54	109	83	10	12		
1¼"	43	54	75	48	76	76	8	12		
1"	34	64	60	36	89	67	6	8		
¾"	27	73	48	2onCL	89	67	6	8		