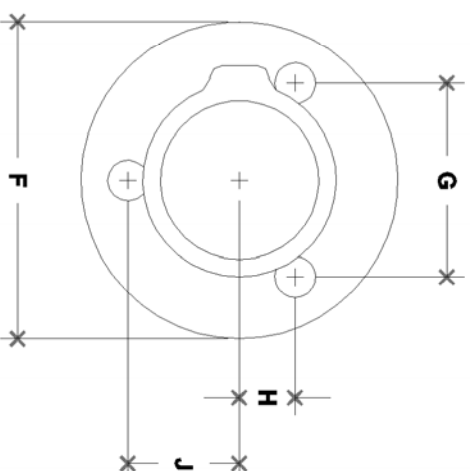
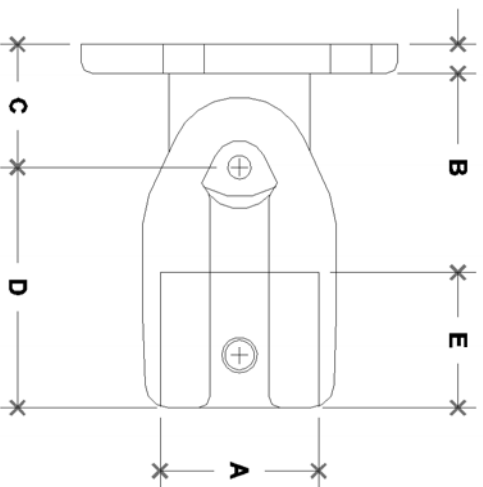


NOTE: DIMENSIONS LOCATED IN BOXES ARE COMMON
SETBACK DIMENSIONS FOR EACH FITTING



#41 Adjustable Flange (Wall Mount Only)

SCALE: HALF

ENGLISH UNITS (Inches)

PIPE SIZE	A	B	C	D	E	F	G	H	J
1½"	1.93	0.31	1.31	2.81	1.69	3.38	2.06	0.59	1.19
1¼"	1.68	0.31	1.31	2.50	1.56	3.38	2.06	0.59	1.19
1"	1.34	0.25	1.19	2.00	1.19	2.88	1.63	0.47	1.19
¾"	1.07	0.25	1.19	1.94	0.97	2.88	1.63	0.47	1.19

METRIC UNITS (mm)

PIPE SIZE	A	B	C	D	E	F	G	H	J
1½"	49	8	33	72	43	86	52	15	30
1¼"	43	8	33	64	40	86	52	15	30
1"	34	6	30	51	30	73	41	12	30
¾"	27	6	30	49	25	73	41	12	30