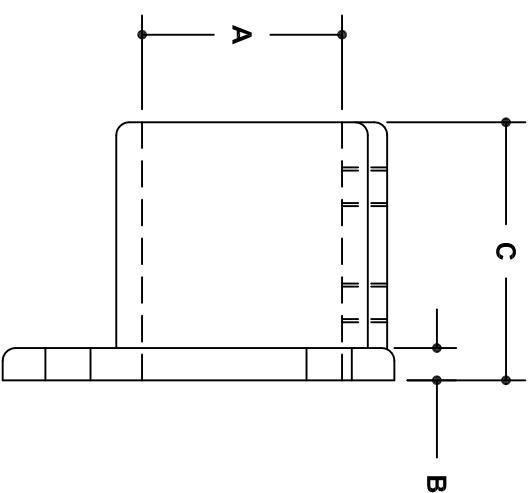
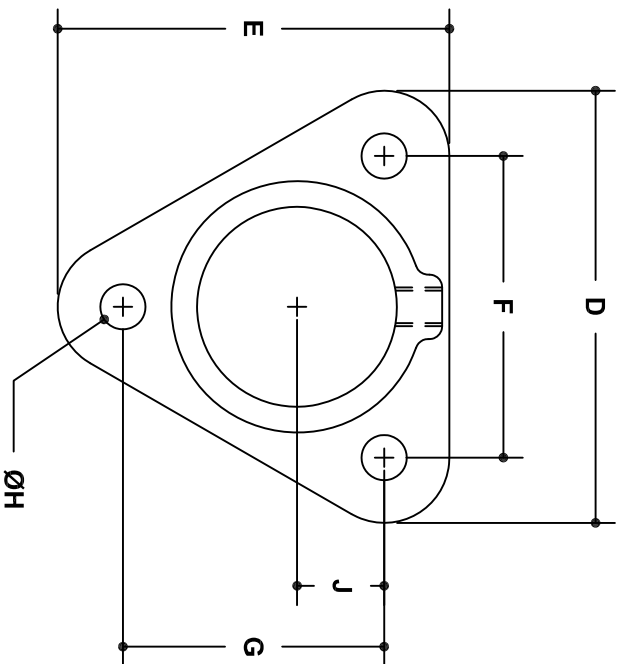


NOTE: DIMENSIONS LOCATED IN BOXES ARE COMMON
SETBACK DIMENSIONS FOR EACH FITTING



#40 Triangular Flange

SCALE: HALF

ENGLISH UNITS (Inches)										
PIPE SIZE	A	B	C	D	E	F	G	H	J	
1½"	1.93	0.31	2.50	4.19	3.81	2.94	2.56	0.44	0.88	
1¼"	1.68	0.25	1.75	3.88	3.50	2.63	2.25	0.44	0.75	
1"	1.34	0.25	1.75	3.19	2.88	2.31	2.00	0.31	0.69	
¾"	1.07	0.19	1.50	2.50	2.25	1.75	1.50	0.31	0.50	

METRIC UNITS (mm)										
PIPE SIZE	A	B	C	D	E	F	G	H	J	
1½"	49	8	64	106	97	75	65	11	22	
1¼"	43	6	44	99	89	67	57	11	19	
1"	34	6	44	81	73	59	51	8	17	
¾"	27	5	38	64	57	45	38	8	13	