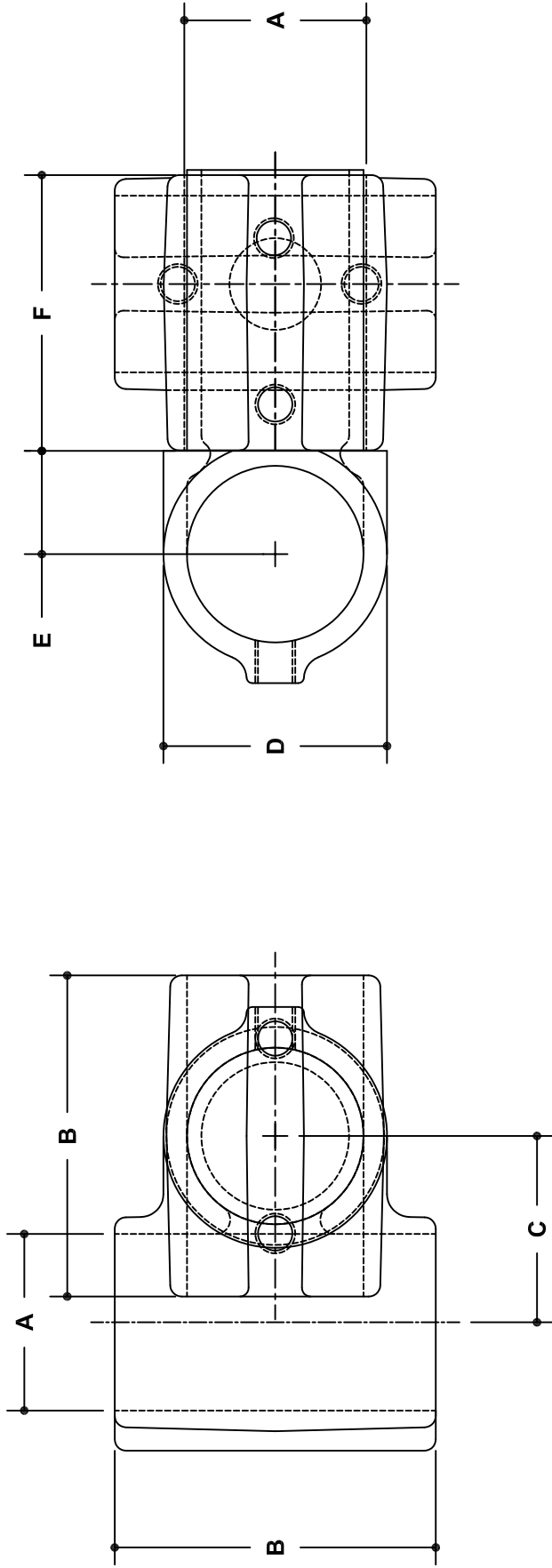


NOTE: DIMENSIONS LOCATED IN BOXES ARE COMMON
SETBACK DIMENSIONS FOR EACH FITTING



#30 Nu-Rail Adjustable Cross

SCALE: HALF

| PIPE SIZE | ENGLISH UNITS (Inches) | | | | | | |
|-----------|------------------------|------|------|------|------|------|---|
| | A | B | C | D | E | F | G |
| 2" | 2.40 | 4.00 | 2.50 | 2.97 | 1.38 | 3.31 | - |
| 1½" | 1.92 | 3.50 | 2.03 | 2.44 | 1.13 | 2.75 | - |
| 1¼" | 1.68 | 3.50 | 1.81 | 2.16 | 1.00 | 2.75 | - |
| 1" | 1.34 | 2.75 | 1.44 | 1.78 | .83 | 2.75 | - |
| ¾" | 1.07 | 2.25 | 1.19 | 1.40 | .69 | 2.25 | - |

| PIPE SIZE | METRIC UNITS (mm) | | | | | | |
|-----------|-------------------|-----|----|----|----|----|---|
| | A | B | C | D | E | F | G |
| 2" | 61 | 102 | 64 | 75 | 35 | 84 | - |
| 1½" | 49 | 89 | 52 | 62 | 29 | 70 | - |
| 1¼" | 43 | 89 | 46 | 55 | 25 | 70 | - |
| 1" | 34 | 70 | 37 | 45 | 21 | 70 | - |
| ¾" | 27 | 57 | 30 | 36 | 18 | 57 | - |