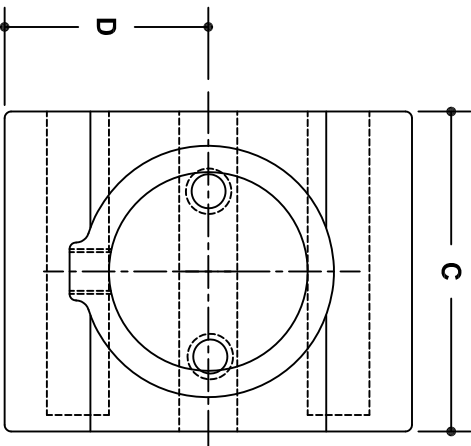
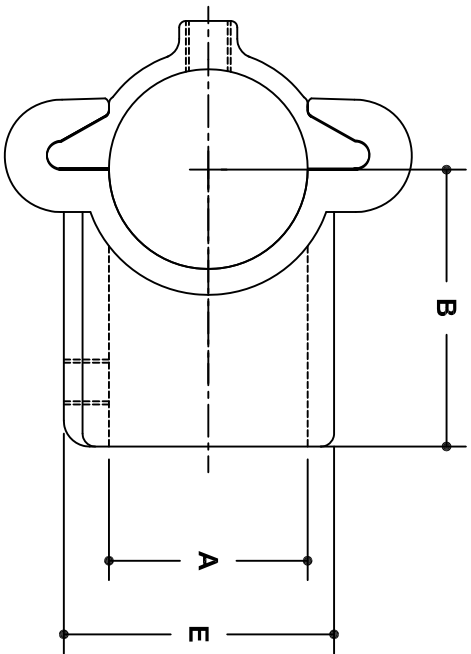


NOTE: DIMENSIONS LOCATED IN BOXES ARE COMMON
SETBACK DIMENSIONS FOR EACH FITTING



#2S Modular Tee

SCALE: HALF

ENGLISH UNITS (Inches)							
PIPE SIZE	A	B	C	D	E	F	G
2"	-	-	-	-	-	-	-
1½"	1.93	2.68	3.10	1.97	2.62	-	-
1¼"	1.68	2.50	2.59	1.55	2.25	-	-
1"	-	-	-	-	-	-	-
¾"	1.07	1.50	2.00	1.10	1.68	-	-

METRIC UNITS (mm)							
PIPE SIZE	A	B	C	D	E	F	G
2"	-	-	-	-	-	-	-
1½"	49	68	79	50	67	-	-
1¼"	43	64	66	39	57	-	-
1"	-	-	-	-	-	-	-
¾"	27	38	51	28	43	-	-