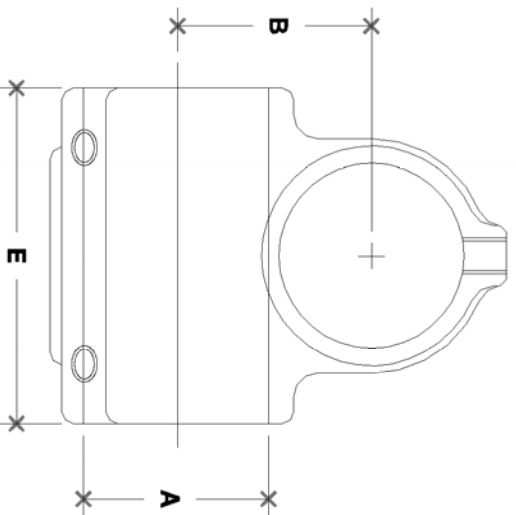
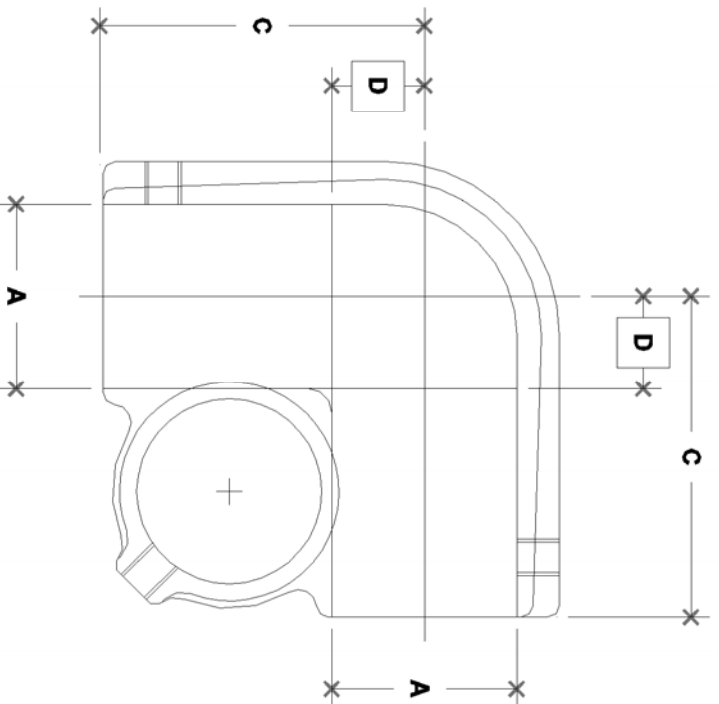


NOTE: DIMENSIONS LOCATED IN BOXES ARE COMMON
 SETBACK DIMENSIONS FOR EACH FITTING



#20 Outside Corner

SCALE: HALF

ENGLISH UNITS (Inches)						
PIPE SIZE	A	B	C	D	E	G
2"	2.40	2.50	4.06	1.20	4.00	
1½"	1.93	2.03	3.34	0.97	3.50	
1¼"	1.68	1.78	2.56	0.84	3.50	
1"	1.33	1.44	2.44	0.67	3.50	
¾"	1.07	1.31	1.81	0.54	2.50	

METRIC UNITS (mm)						
PIPE SIZE	A	B	C	D	E	G
2"	61	64	103	30	102	
1½"	49	52	85	25	89	
1¼"	43	45	66	21	89	
1"	34	37	62	18	89	
¾"	27	33	46	14	89	