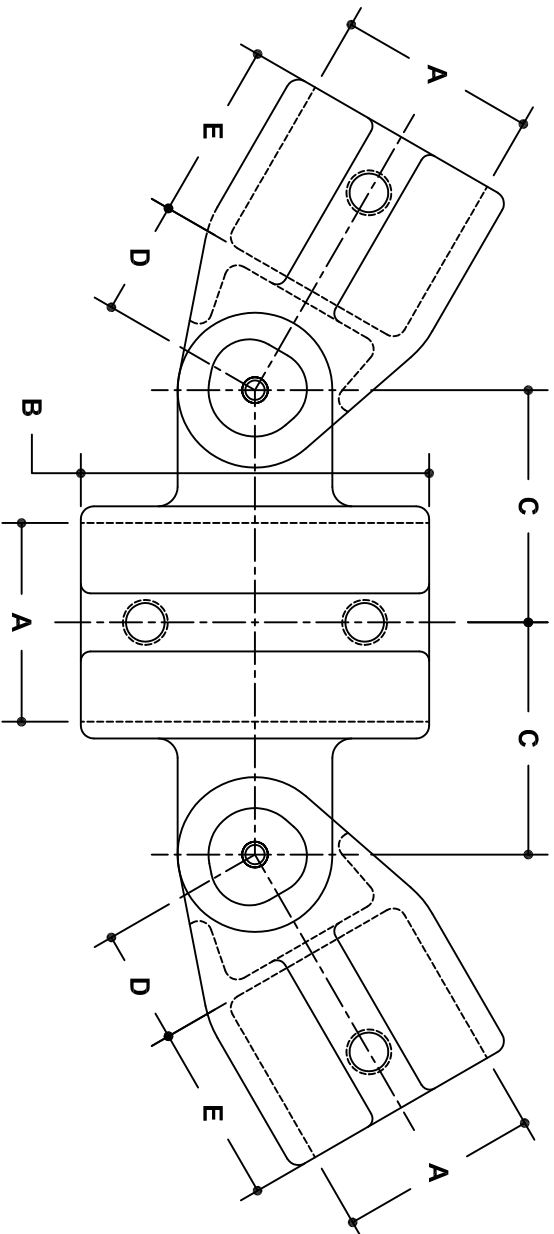


NOTE: DIMENSIONS LOCATED IN BOXES ARE COMMON  
 SETBACK DIMENSIONS FOR EACH FITTING



## #19 Adjustable Cross Assembly

SCALE: HALF

ENGLISH UNITS (Inches)							
PIPE SIZE	A	B	C	D	E	F	G
2"	2.40	3.88	2.63	1.25	2.13		
1½"	1.93	3.38	2.25	1.11	1.73		
1¼"	1.68	2.75	1.94	1.13	1.44		
1"	1.33	2.38	1.63	0.86	1.14		
¾"	1.07	2.00	1.31	0.97	0.97		

METRIC UNITS (mm)							
PIPE SIZE	A	B	C	D	E	F	G
2"	61	99	67	32	54		
1½"	49	86	57	28	44		
1¼"	43	70	49	29	37		
1"	34	60	41	22	29		
¾"	27	51	33	25	25		