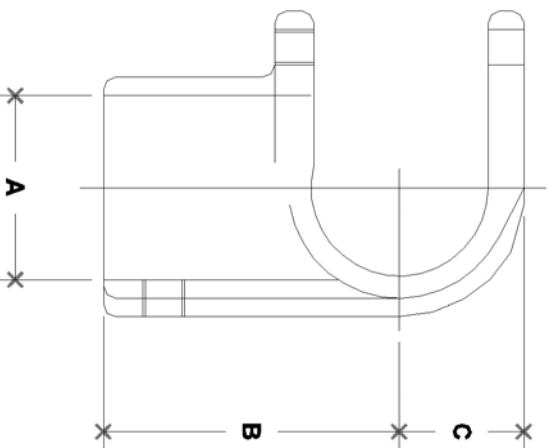
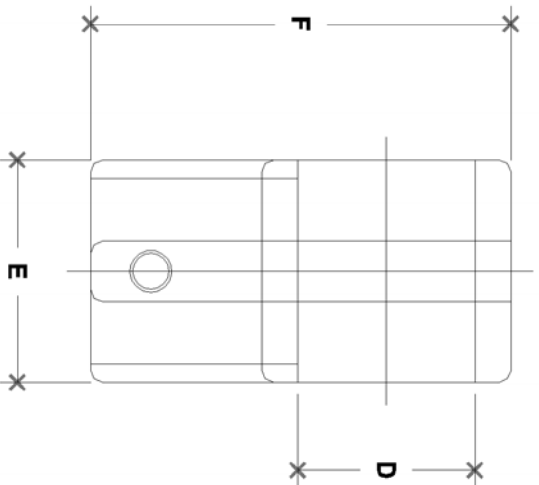


NOTE: DIMENSIONS LOCATED IN BOXES ARE COMMON
 SETBACK DIMENSIONS FOR EACH FITTING



#16 Bolt-On Tee

SCALE: HALF

ENGLISH UNITS (Inches)						
PIPE SIZE	A	B	C	D	E	F
1 1/2"	1.93	3.08	1.30	1.84	2.31	4.38
1 1/4"	1.68	2.78	1.22	1.59	2.03	4.00

METRIC UNITS (mm)						
PIPE SIZE	A	B	C	D	E	F
1 1/2"	49	78	33	47	59	111
1 1/4"	43	71	31	40	52	102