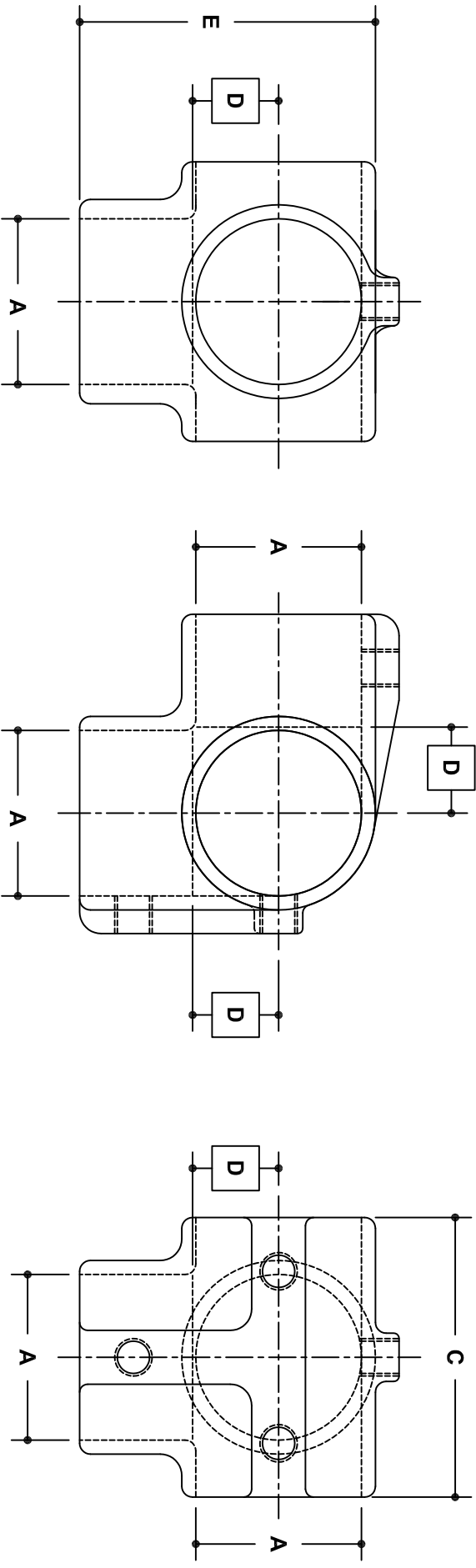


NOTE: DIMENSIONS LOCATED IN BOXES ARE COMMON
SETBACK DIMENSIONS FOR EACH FITTING



#11 Side Outlet Tee

SCALE: HALF

ENGLISH UNITS (Inches)						
PIPE SIZE	A	B	C	D	E	G
2"	2.40		3.88	1.25	4.68	
1½"	1.93		3.25	1.00	3.72	
1¼"	1.68		2.75	0.88	3.22	
1"	1.33		2.38	0.73	2.82	
¾"	1.07		2.00	0.47	2.34	

METRIC UNITS (mm)						
PIPE SIZE	A	B	C	D	E	G
2"	61		99	32	119	
1½"	49		83	25	95	
1¼"	43		70	22	82	
1"	34		60	19	72	
¾"	27		51	12	60	